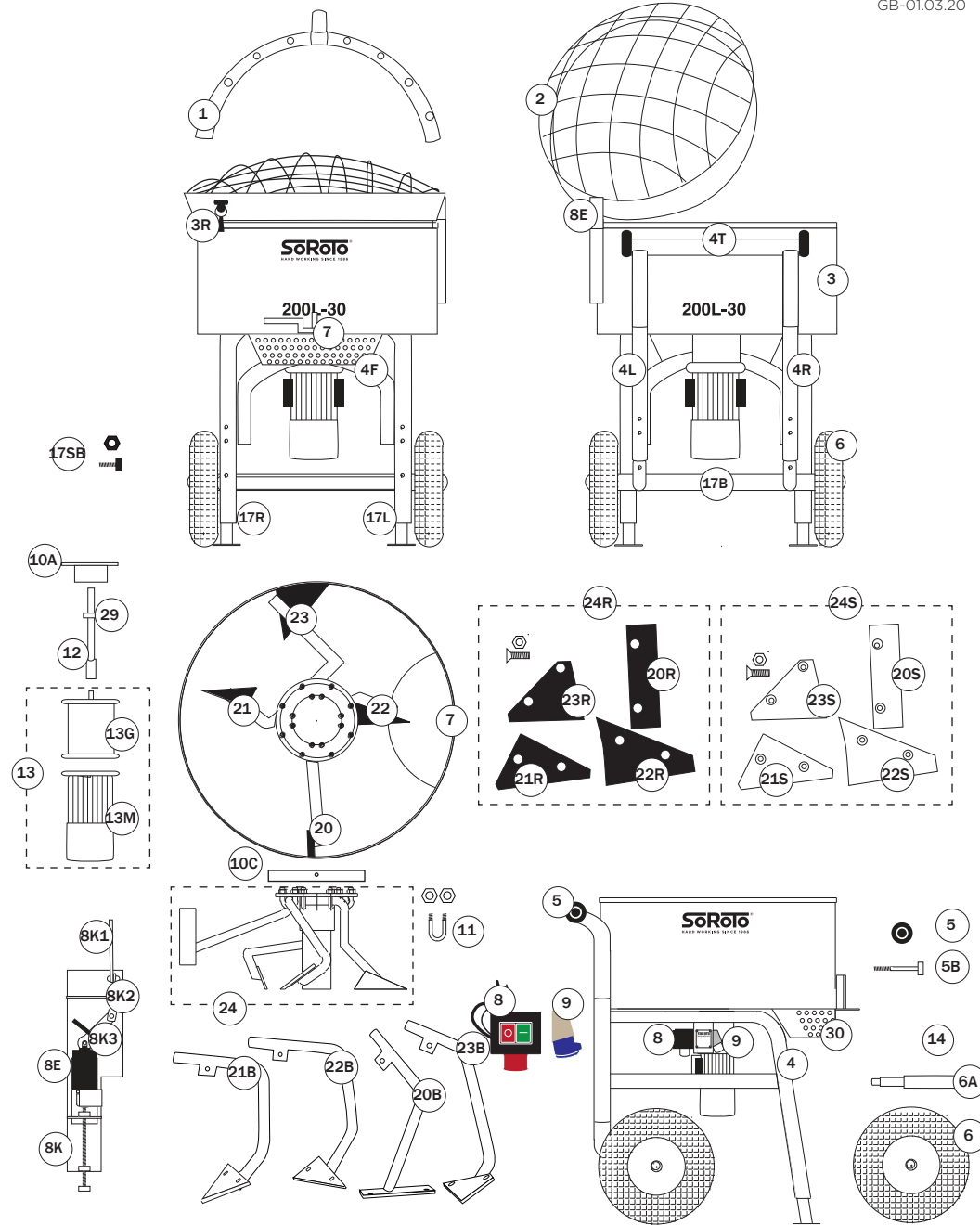


POS.NO.	DESCRIPTION	SPARE PART NO.
1 DC *	Dust Controller	200 001DC
2	Grid lid	200 002
3	Mixer drum, excl. mixer gate	200 003
3 R	Rubber strap for grid lid	200 003R
4	Frame, complete w/wheels.....	200 004
4 F	Frame, front – u-shape.....	200 004F
4 L	Frame, left side.....	200 004L
4 R	Frame, right side.....	200 004R
4 T	Frame, top/rear	200 004T
5	Loading wheel (1 pc.), 80 mm, excl. bolt	200 005
5 B	Bolt (1 pc.) for loading wheel.....	200 005B
6	Wheel (1 pc.), 400 mm.....	200 006
6 A	Axle (1 pc.) for 400 mm wheel.....	200 006A
7	Mixer gate incl. bolt	200 007
8	Switch 9.5 Amp. w/therm. circuit breaker, phase adjust. system	200 008
8 E	Safety switch – by the grid lid.....	200 008E
8 K	Cassette for safety switch, complete.....	200 008K
8 K1	Piece for safety switch, bended metal part.....	200 008K1
8 K2	Piece for safety switch, twisted metal part.....	200 008K2
8 K3	Piece for safety switch, rubber part	200 008K3
9	Outlet plug 1 x 230V, 16 amp.....	200 009
10 A	Top disc, separate (excl. U-bolts).....	200 010A
10 C	Protective cover for top disc.....	200 010C
11	U-bolt incl. nut (1 pc.) for securing top disc (8 pcs. in total).....	200 011
12	Drive shaft, complete	200 012
13	Gear motor 2.2 kW, 30 RPM, 400V	200 013
13 G	- Gear only.....	200 013G
13 M	- Motor only	200 013M
17 B	Telescopic leg (1 pc.), rear	200 017B
17 L	Telescopic leg (1 pc.), front – left side.....	200 017L
17 R	Telescopic leg (1 pc.), front – right side.....	200 017R
17 SB	Bolt and nut (1 set) for telescopic leg (1 pc.).....	200 017SB
20	Mixer arm w/rubber blade, Side.....	200 020
21	Mixer arm w/rubber blade, Mid-base.....	200 021
22	Mixer arm w/rubber blade, Tower-base	200 022
23	Mixer arm w/rubber blade, Side-base	200 023
24	Mixer arms w/rubber blade, complete set incl. top disc	200 024
24 A	Mixer arms w/rubber blades, complete set excl. top disc	200 024A
20 B	Mixer arm wo/rubber blade, Side.....	200 020B
21 B	Mixer arm wo/rubber blade, Mid-base.....	200 021B
22 B	Mixer arm wo/rubber blade, Tower-base	200 022B
23 B	Mixer arm wo/rubber blade, Side-base	200 023B
24 B	Mixer arms wo/rubber blades, complete set excl. top disc.....	200 024B
20 R	Mixer blade, rubber, Side	200 020R
21 R	Mixer blade, rubber, Mid-base.....	200 021R
22 R	Mixer blade, rubber, Tower-base.....	200 022R
23 R	Mixer blade, rubber, Side-base	200 023R
24 R	Mixer blades, rubber, complete replacement set	200 024R
20 S*	Mixer blade, Hardox steel, Side	200 020S
21 S*	Mixer blade, Hardox steel, Mid-base.....	200 021S
22 S*	Mixer blade, Hardox steel, Tower-base.....	200 022S
23 S*	Mixer blade, Hardox steel, Side-base	200 023S
24 S*	Mixer blades, Hardox steel, complete replacement set	200 024S
29	Bearing for drive shaft.....	200 029
30	Discharge chute and safety grid – all in one	200 030

SPARE PART LIST - 200L, 400V



*OPTIONAL EXTRA